



Shenzhen Lefeet Innovation Technology Co., Ltd.

LEFEET S1 PRO

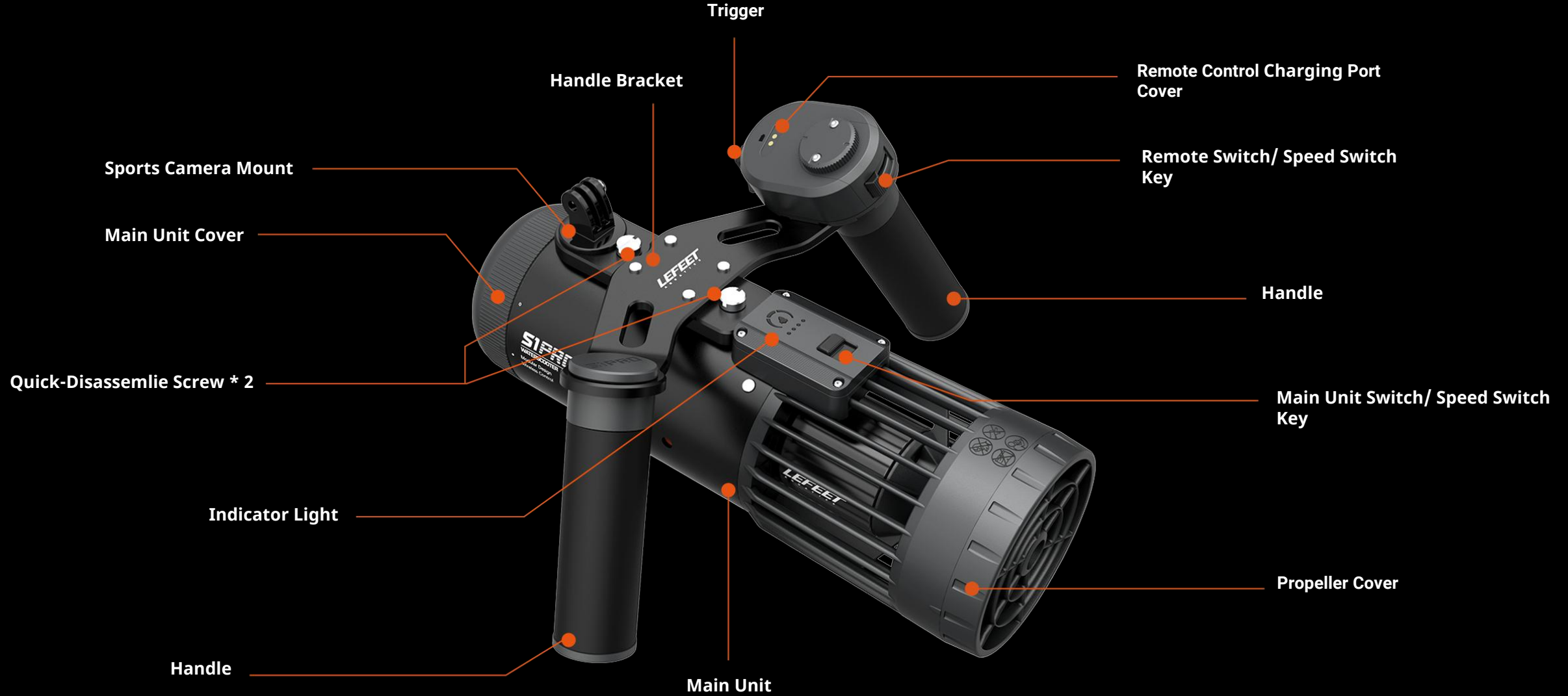
The Ultimate Modular Water Scooter



LEFEET S1 PRO

LEFEET S1 PRO is a hi-tech water scooter which provides power propulsion to underwater divers. LEFEET S1 PRO is easier to carry and use due to its compact and lightweight design, with 3 speed-settings to meet your needs. The modular design provides for diversification of use and a safer overall experience for you.

LEFEET S1 PRO



MODULAR DESIGN

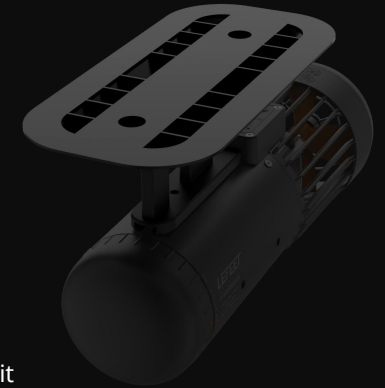
Convenient to assemble and disassemble, achieving diversified playing way with various accessories



Dual Jet Rail Kit



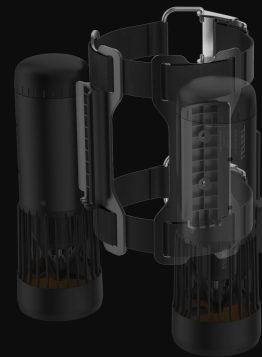
Single Grip Rail Kit



Multi-Purpose Mount Kit



Scuba Booster Strap Kit



Scuba Tank Mounts



Floating Fins

COMPACT SIZE

- Ultra light / Easy to assemble / Easy to carry-on
- Fits easily into luggage, take it with you to every dive resort around the world.



SMALLEST WATERSCOOTER ON THE MARKET



EASY TO OPERATE

- Long press to start, short press to switch speed settings, one trigger to operate.
- Intuitive design, start using LEFEET S1 PRO right away.



WIRELESS CONTROL

We upgrade S1 PRO's remote control distance, so it become farther and more stable

- Underwater wireless control technology liberates the inherent form.
- You can also pair multiple units at the same time for more fun.
- The underwater remote control distance is not less than 1m which makes application scenarios are more abundant.



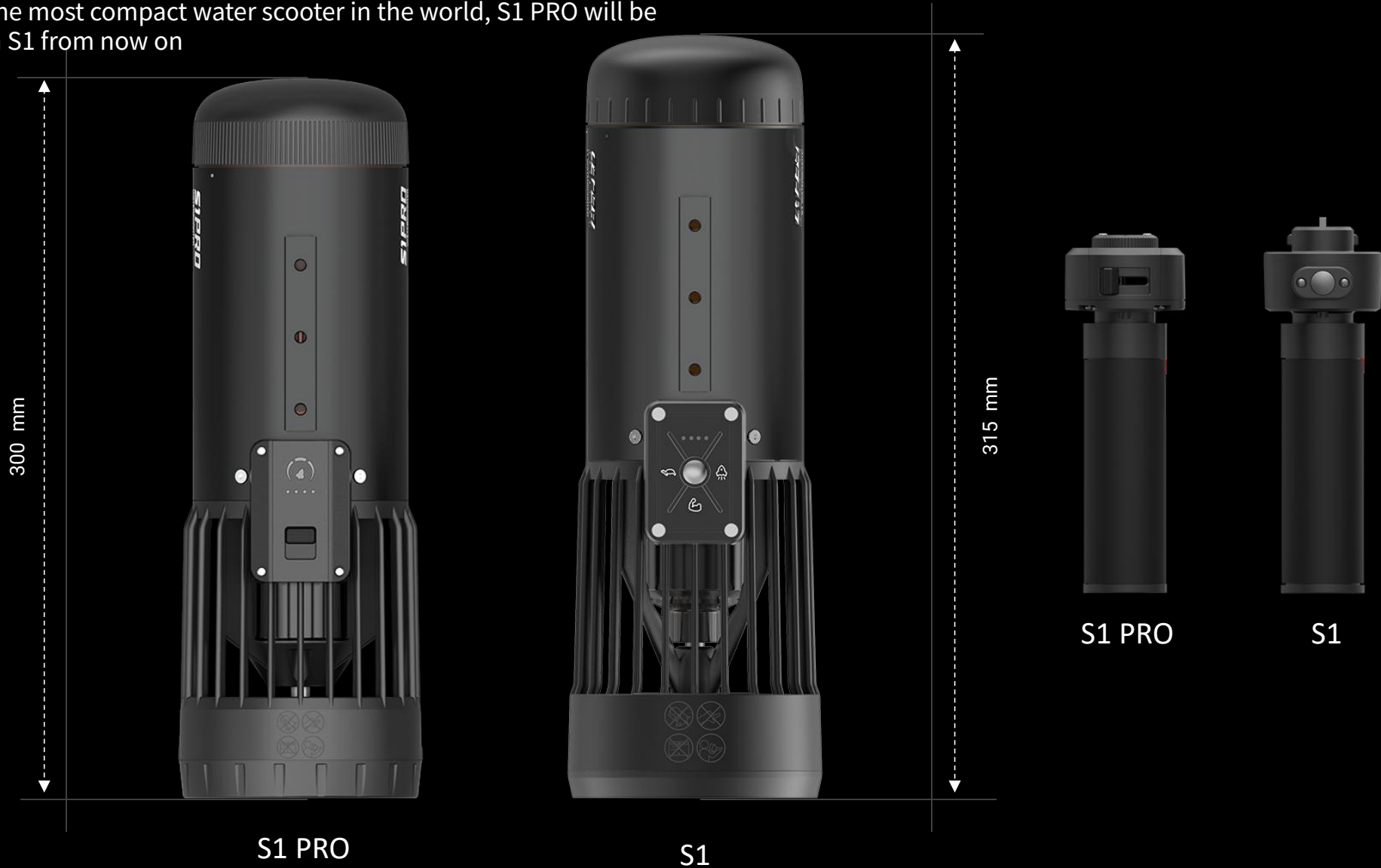
INNOVATION AND BREAKTHROUGH

- S1 PRO's main unit and remote control adopt A New Contactless Waterproof Buttons
- Without fear of changes in water pressure, underwater shifting is more comfortable
- The remote control adopts magnetic charging to prevent the hidden danger of water ingress



PRODUCT COMPARISON

- Even though S1 is the most compact water scooter in the world, S1 PRO will be more compact than S1 from now on



COMPLY AIRLINE POLICIES

Battery compliant with air carrying policy, making you travel all the world with no worry

Battery

- Patented waterproof structure
- Replace battery quickly in 5 seconds



WATER-RESISTANT UP TO 40 METERS

- Water-resistant up to 40 meters, explore deeper parts of the ocean with peace of mind.

40 m

A diver in full scuba gear is swimming horizontally over a large, cylindrical concrete structure underwater. The water is clear blue. A vertical dashed orange line on the left side of the image indicates a depth of 40 meters. Bubbles are visible rising from the diver's regulator.

PACKING OF PRODUCT



Main Unit



Battery



O Ring



Lost-prevention Strap



Remote Control + Handle



Handle Bracket + Quick-Disassemble Screws



Remote Control Charge Cable



Battery Charger



Packaging Dimensions
370x 286 x 125 mm

VARIOUS ACCESSORIES



Standard Mode



Dual Jet Rail Kit



Multi-purpose Mount Kit



Floating Fins



VARIOUS ACCESSORIES



Single Grip Rail Kit



Scuba Booster Strap Kit



Multi-purpose Mount Kit

SPECIFICATIONS



• MAIN UNIT

Net Weight	5.07 lb (Including Battery)
Dimensions	11.8 x 11.8 x 6.3 in (Including Handle Bracket)
Working Temperature	32°F ~ 104°F
Waterproof Depth	131.2 ft
Speed Settings	Three modes: Low / Medium / High *
Operating Time	Main unit 35~70 mins/Remote control 2.5h (Normal Using) *
Thrust	17.6 lbf
Add-on Support	Support add-on sports camera *

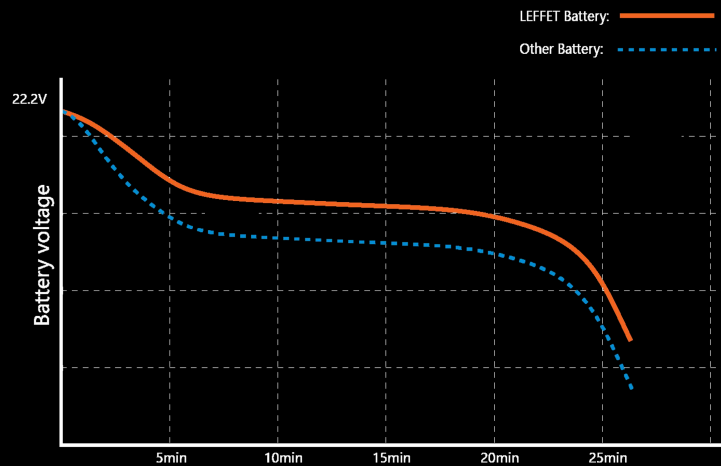
- *Note:
1. As the battery power is used up, the power of LEFEET S1 PRO will gradually weaken, and there will be an automatic speed reduction and speed shift. Even if the device is unable to be used at high or medium Speed Setting, this is a normal condition and should not be cause for worry;
 2. All the parameters are for reference only. The specific battery life will vary depend on your selection of Speed Settings, the user's body weight, as well as the environment and frequency of use;
 3. The Sports Camera Mount of this product only supports some types of sport cameras, while mounts for other types of cameras should be purchased separately.





• BATTERY

Charging Voltage	25.2 V
Charging Current	3 A
Rated Capacity	4400 mAh
Rated Energy	97.68 Wh
Charging Temperature	50°F ~ 113°F
Charging Time	2.5h /Remote Control 1.5h
Net Weight	1.68 ± 0.044 lb



• BATTERY CHARGER

Input Voltage	100 ~ 240V
Output Voltage	25.2 V
Output Current	3 A

								
Brand	LEFEET S1 PRO	LEFEET S1	Sublue TMSeabow	Scubajet	Apollo	TAMAH 500LI SEASCOOTER	SUEX XJS	SUBMERGE MINNUS1.5
Origin	Shenzhen	Shenzhen	Tianjing	Austria	Japan	Japan	Italy	USA
Color	1	1	1	1	1	1	1	1
Weight	2.3 kg	2.3 kg	4.5 kg	2.7 kg 2.9 kg	21 kg	9.5 kg	20 kg	17.23 kg
Product Quantity	1	1	2	1	1	1	1	1
Speed Mode	3	3	3	1	2	3		
Speed	1.8 m/s	1.5 m/s	1.8 m/s	2.2 m/s	1.25 m/s	1.94 m/s	1.41 m/s	2.23 m/s
Power	8 kgf	7 kgf	13 kgf		16 kgf		33.66 kgf	24.95 kgf
Depth	40 m	40 m	50 m	30 m	70 m	40 m	200 m	200 m
Operating Time	35 - 7 0 mins	30 - 60 mins	45 mins	100 mins	120 mins	90 mins	85 mins	90 - 180 mins
Battery Capacity	97.68 Wh	97.68 Wh	158 Wh	200 Wh / 400 Wh	680 Wh		940 Wh	
Charging Time	2.5 h	2.5 h	4 h	3 - 6 h		3 - 4 h	8 h	
Battery Replacement	Support	Support	Support	Support	Support	N/A	N/A	Support
Floating Case	Support	Support	Support			N/A		
Mounting Bracket	Gopro, Lighting, Scuba,SUP	Gopro, Lighting, Scuba,SUP	2 gopro mounts	Surfboard canoe		gopro	gopro	gopro
Operating Method	Hand, Back, Legs	Hand, Back, Legs	Hand	Hand, Add-on Support	Hand	Hand	Hand	Hand
Uses	Snorkeling, Scuba diving	Snorkeling, Scuba diving	Snorkeling, Scuba diving	Scuba diving	Scuba diving	Snorkeling, Scuba diving	Scuba diving	Scuba diving
Features	Moeular design, Wireless remote control	Moeular design, Wireless remote control	Single hand	2 kinds of batteries. One hand operation, can be placed under the surfboard canoe				
Price	\$ 759.00	\$ 699.00	\$ 999.00	\$ 3,595.00	\$ 3,595.00	\$ 1595.00	\$ 8,500.00	\$ 6,000.00

